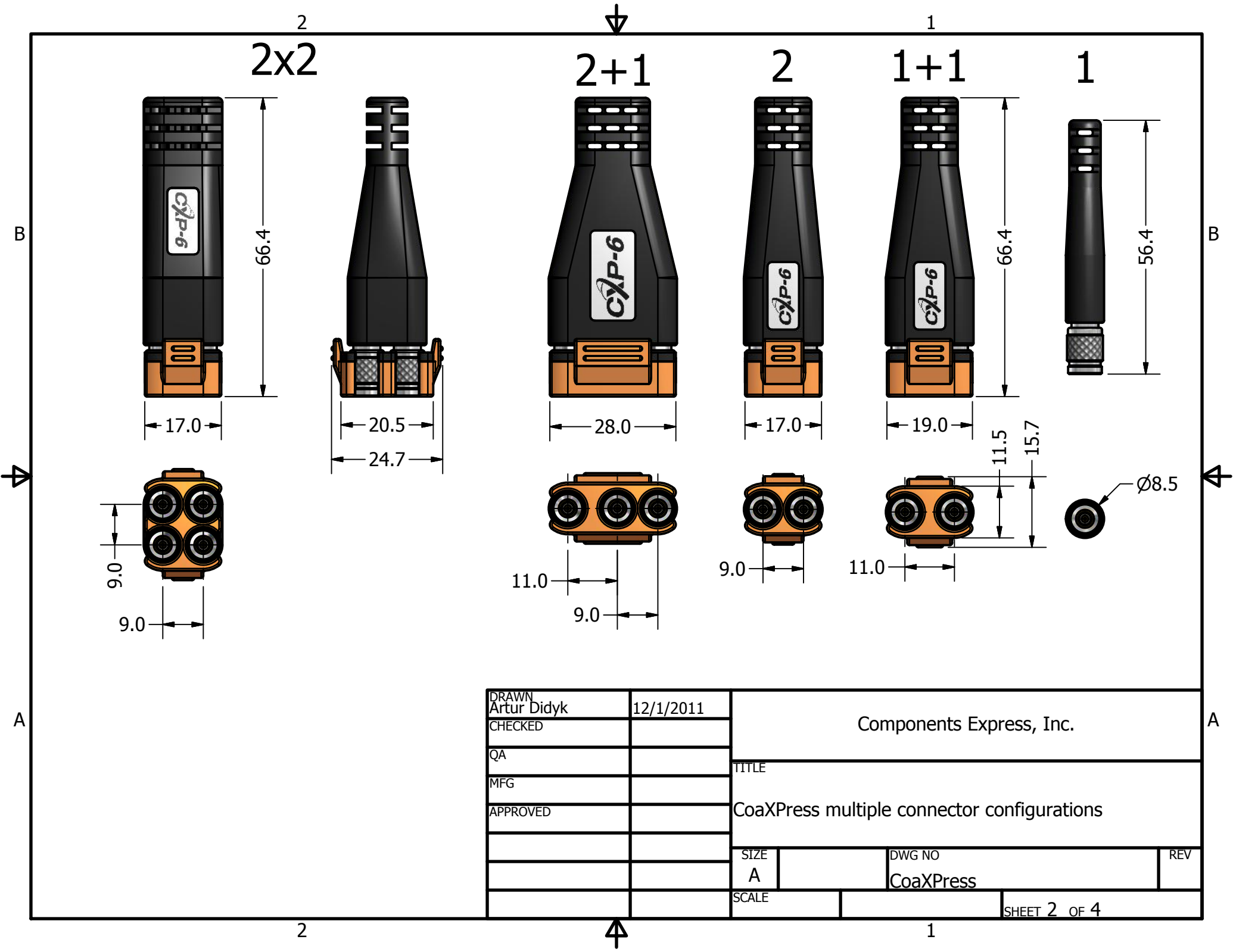


DRAWN	Artur Didyk	12/1/2011
CHECKED		
QA		
MFG		
APPROVED		

Components Express, Inc.		
TITLE		
CoaXPress multiple connector configurations		
SIZE	DWG NO	REV
A	CoaXPress	
SCALE	SHEET 1 OF 4	



DRAWN Artur Didyk	12/1/2011	Components Express, Inc.		
CHECKED				
QA				
MFG				
APPROVED				
		SIZE A	DWG NO CoaXPRESS	REV
		SCALE		SHEET 2 OF 4

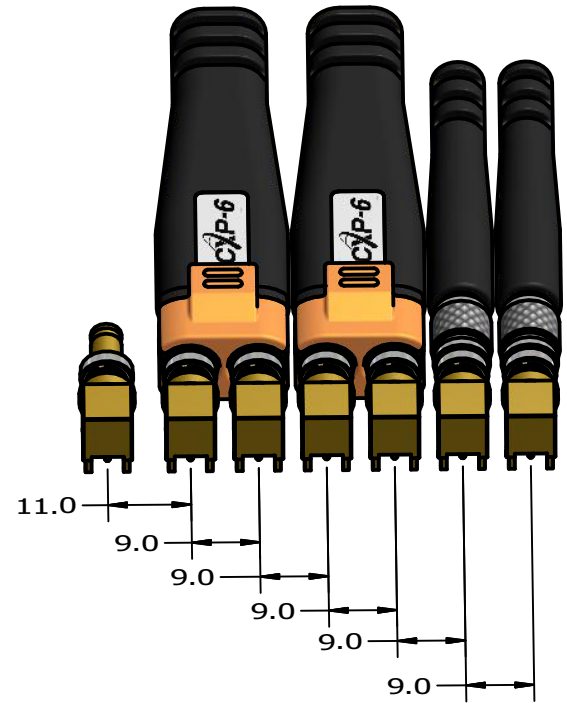
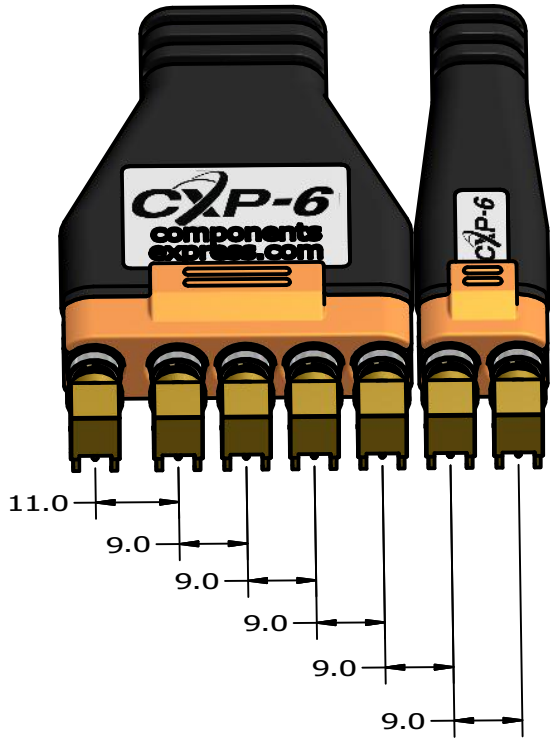
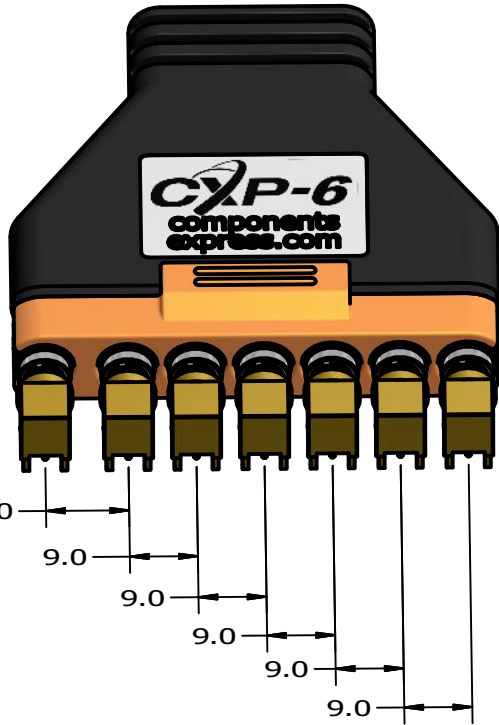
Components Express, Inc.	
TITLE CoaXPRESS multiple connector configurations	
SIZE A	DWG NO CoaXPRESS
SCALE	SHEET 2 OF 4

2



1

B



B

A

DRAWN Artur Didyk	12/1/2011	Components Express, Inc.		
CHECKED		TITLE		
QA		CoaXPress multiple connector configurations		
MFG		SIZE A	DWG NO CoaXPress	REV
APPROVED		SCALE		SHEET 3 OF 4

A

2



1

CoaXPress

The next generation digital interface

